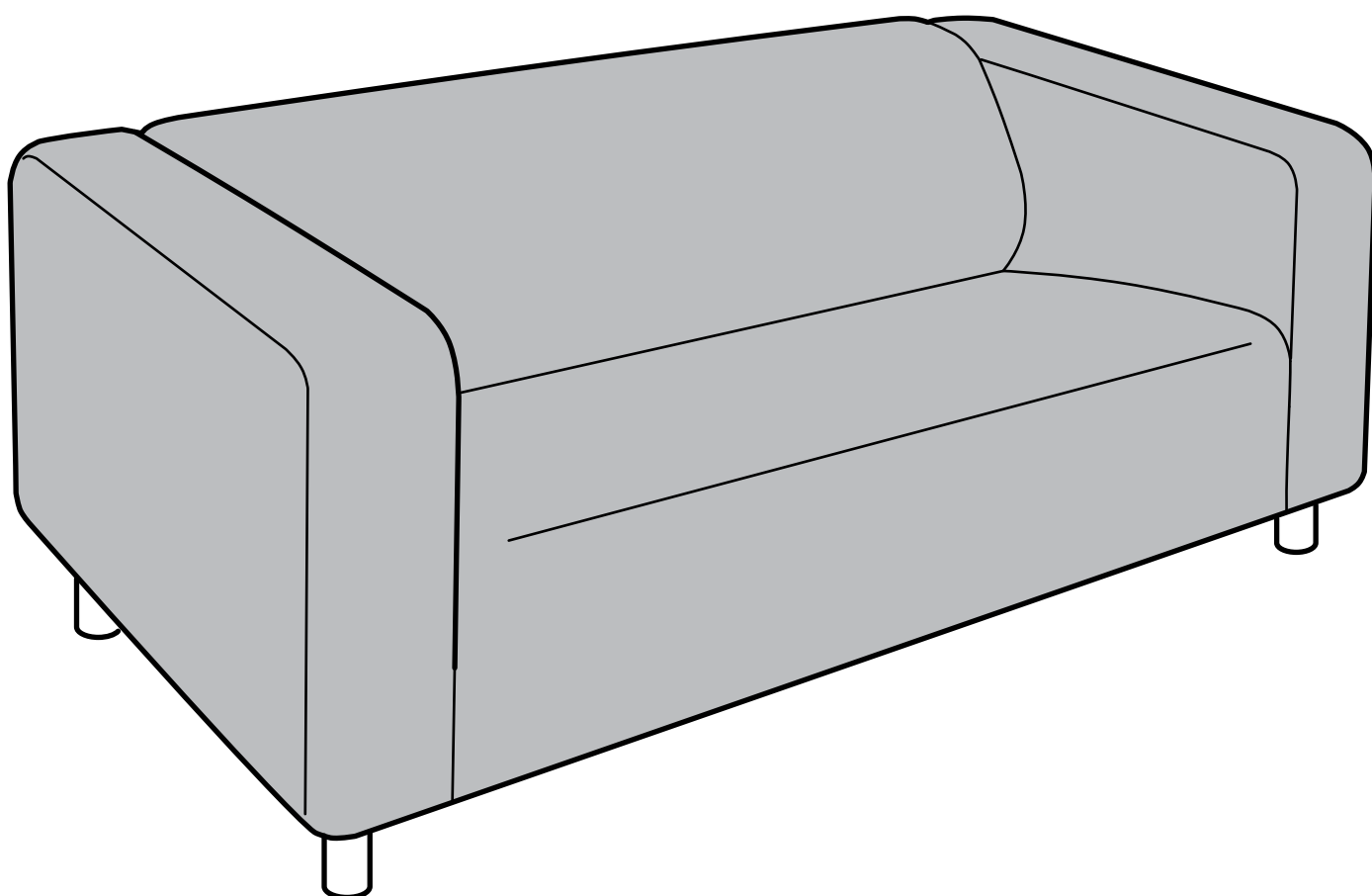
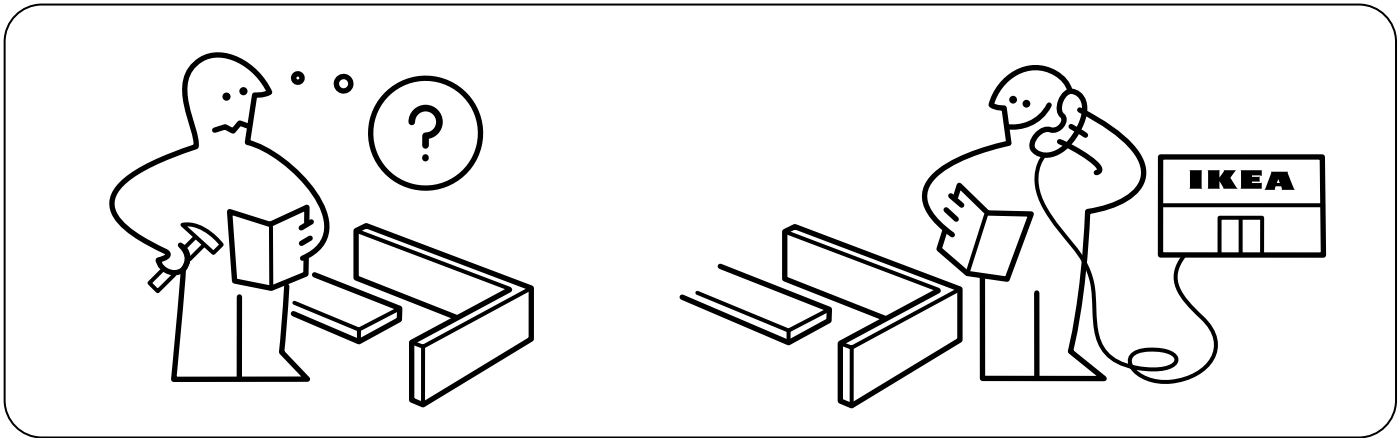


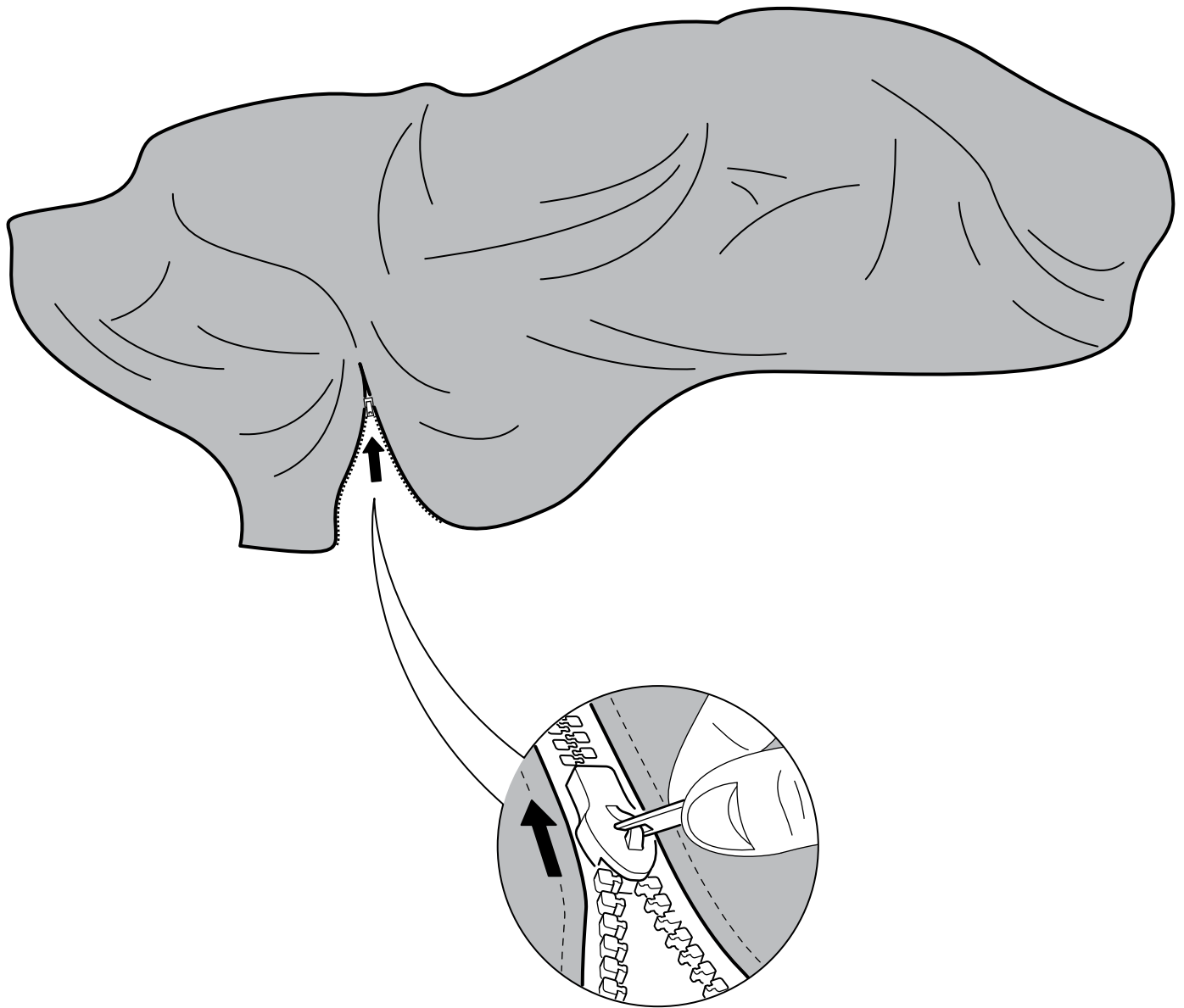
KLIPPAN



Design and Quality
IKEA of Sweden



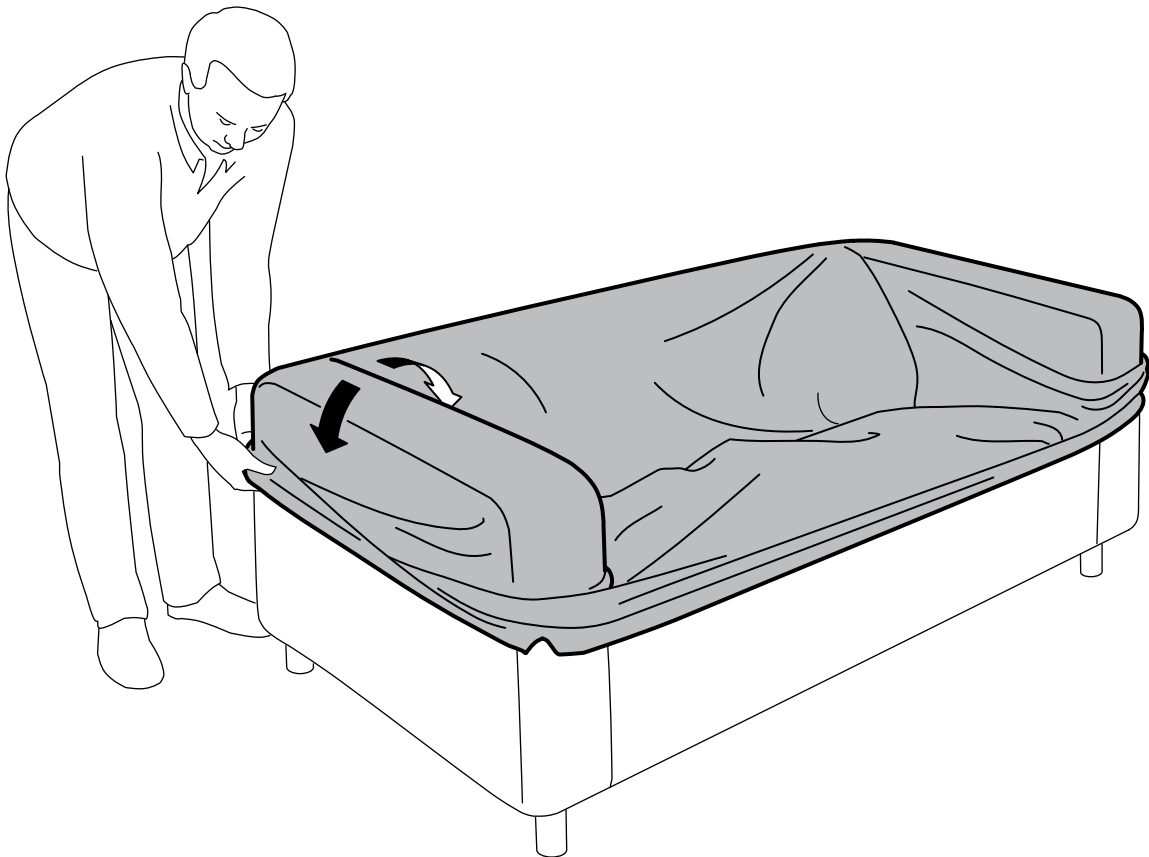
1



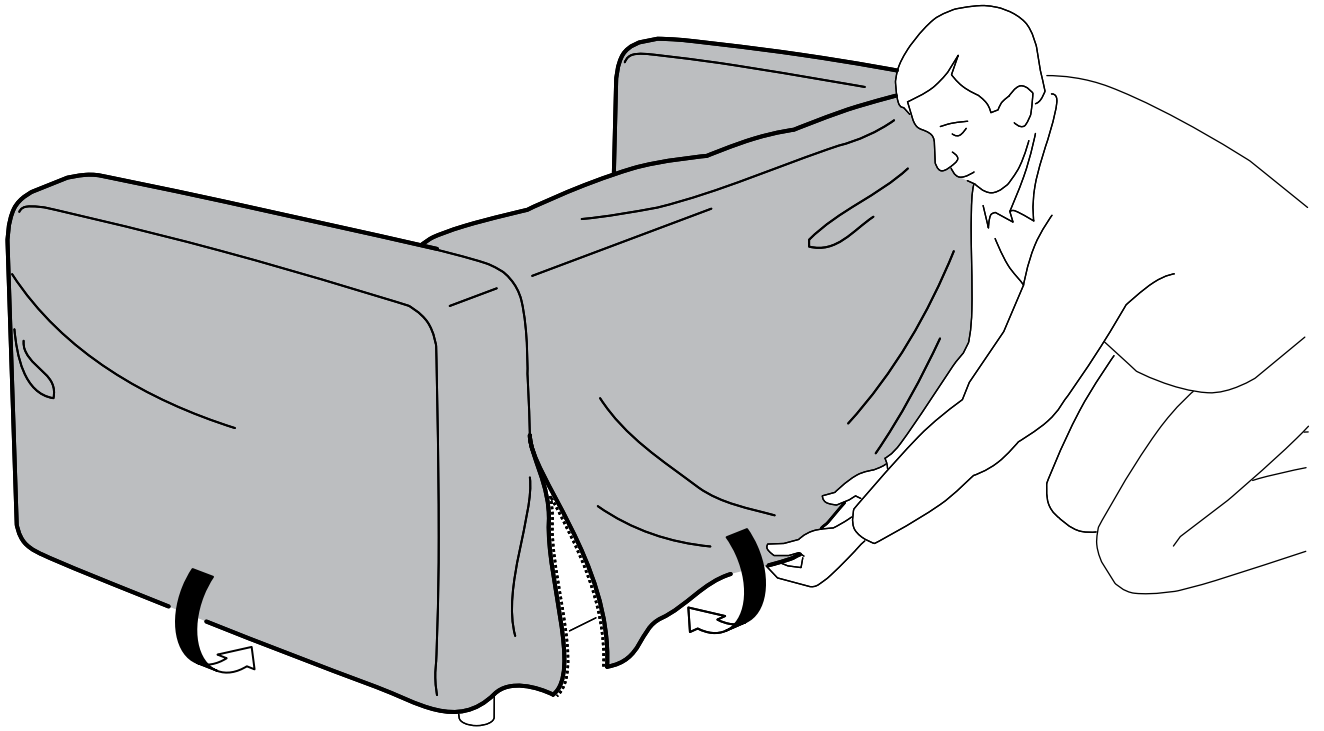
2



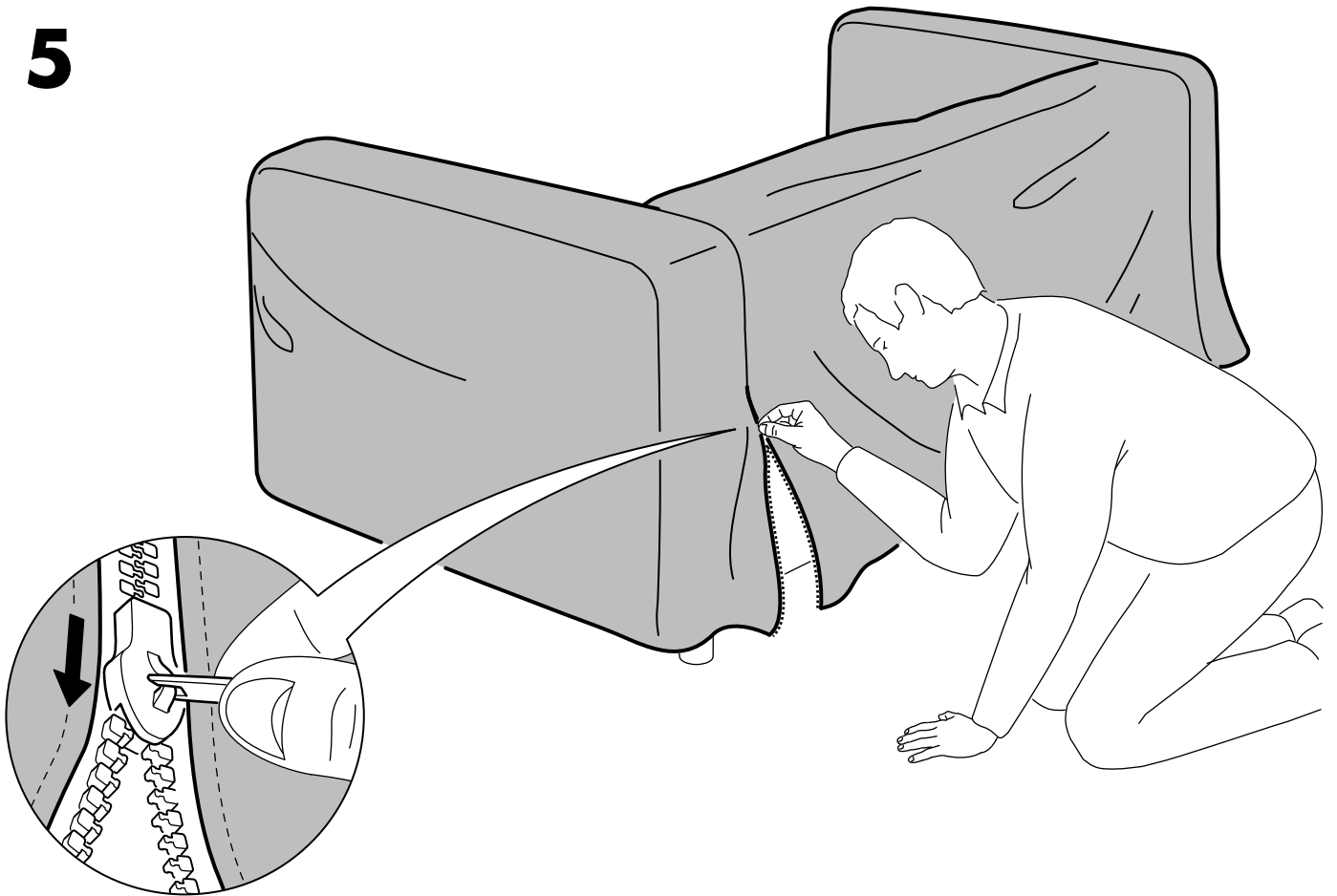
3



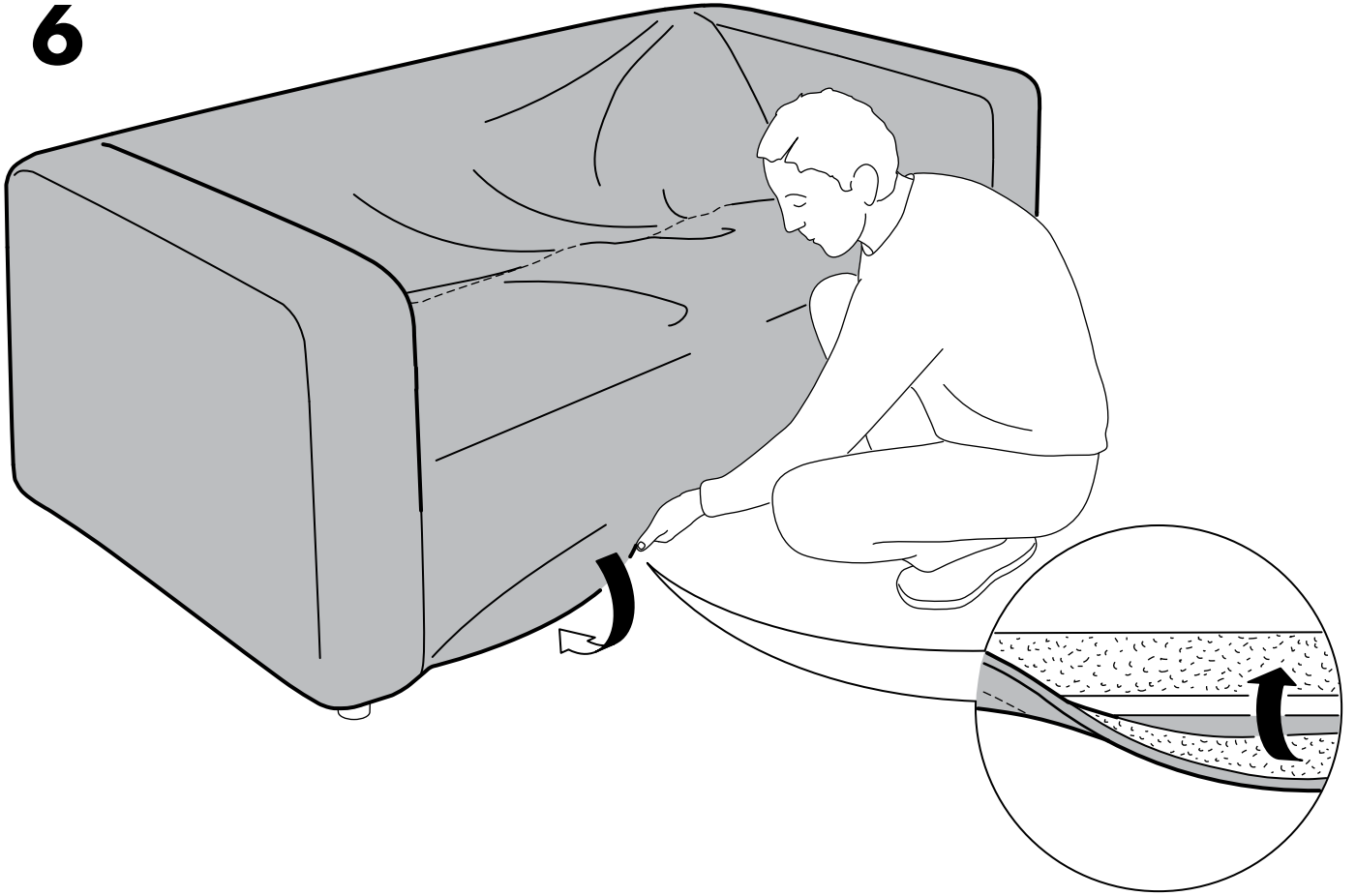
4



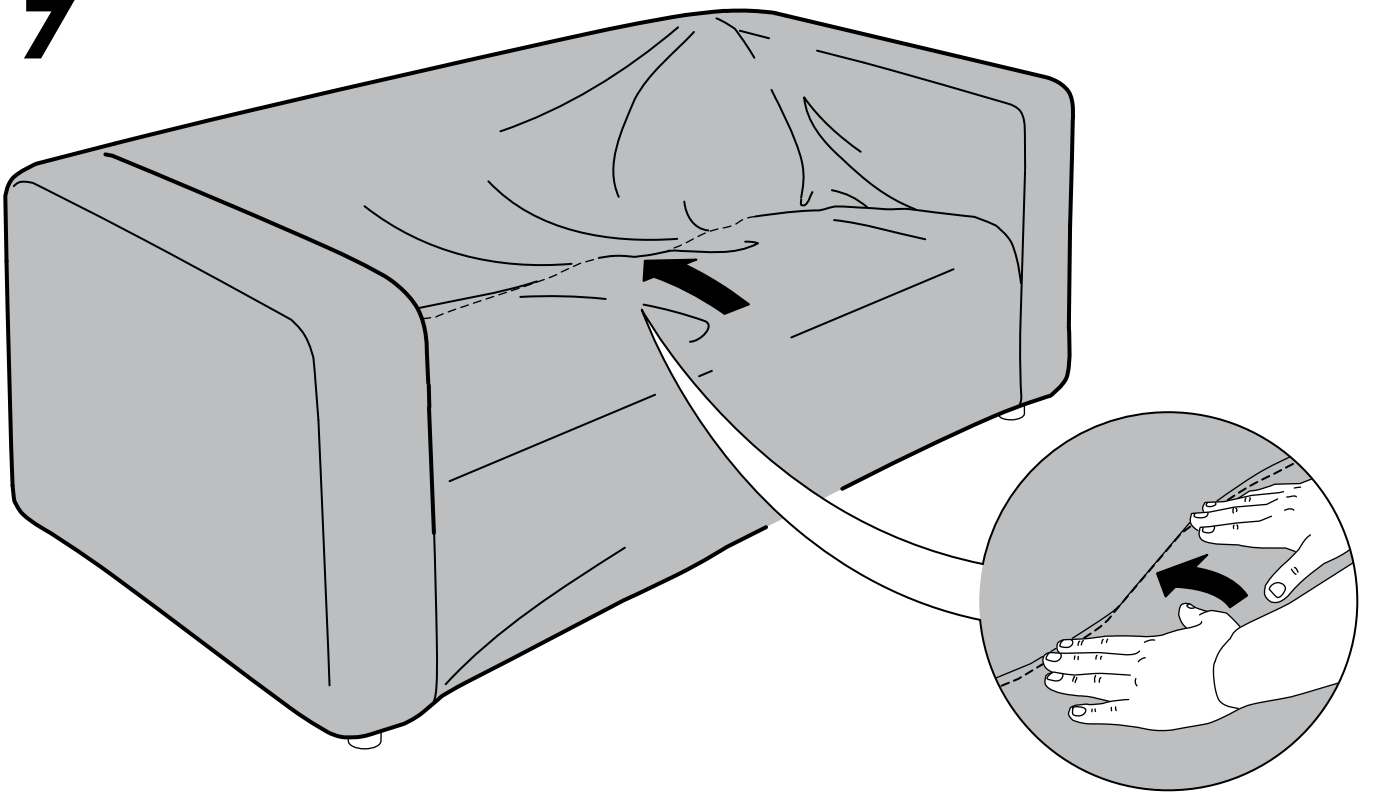
5



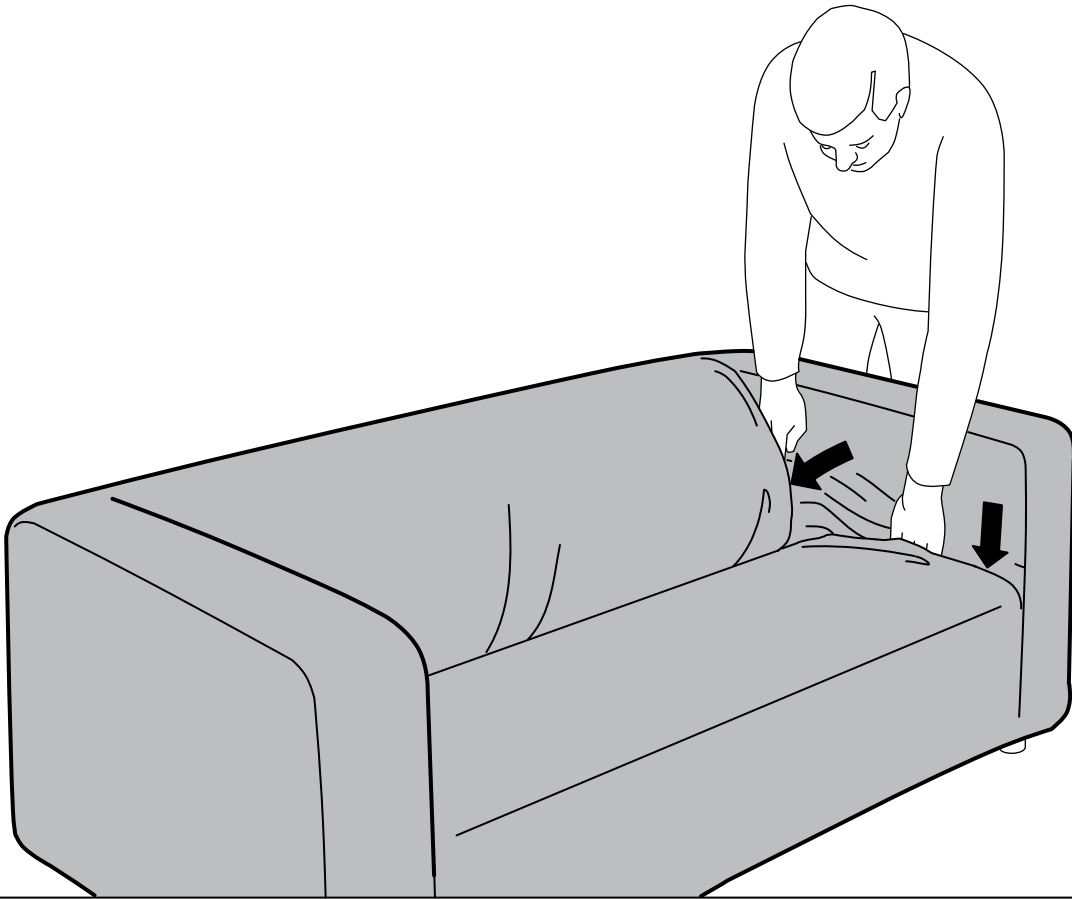
6



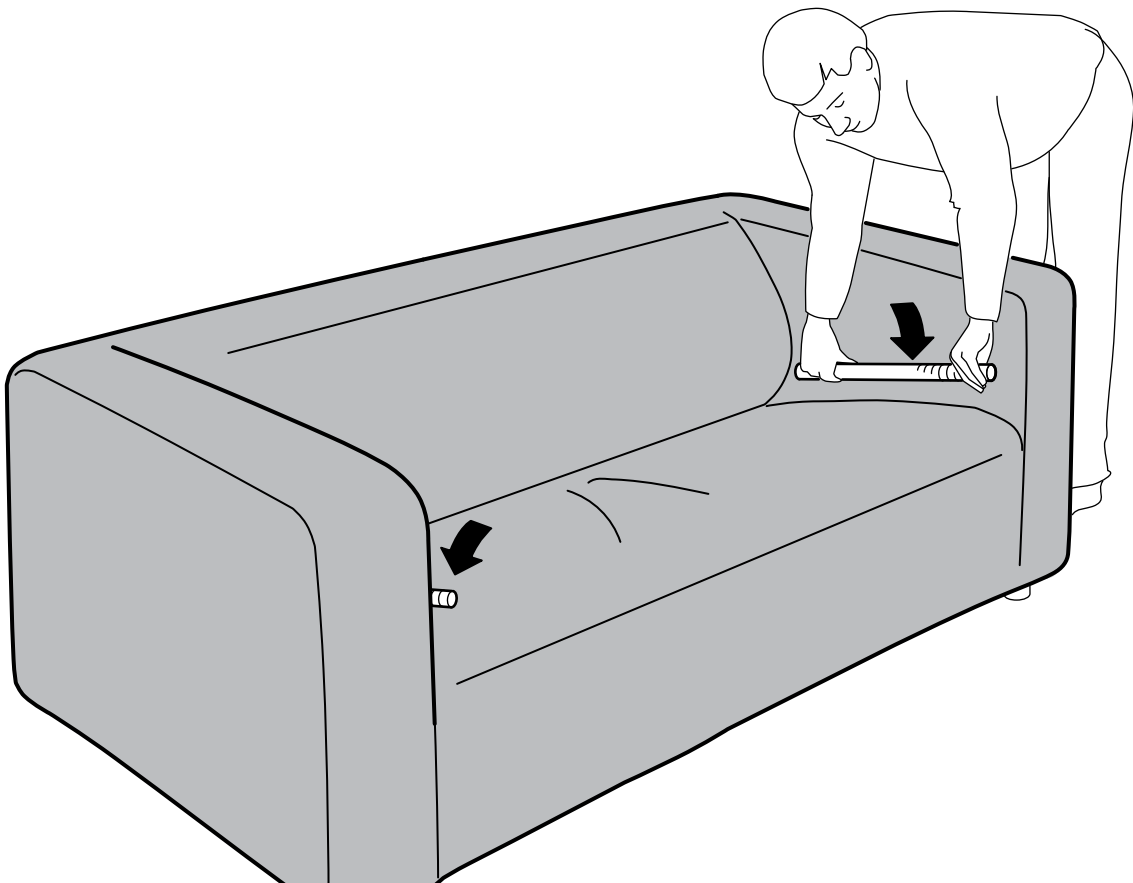
7



8



9



10

