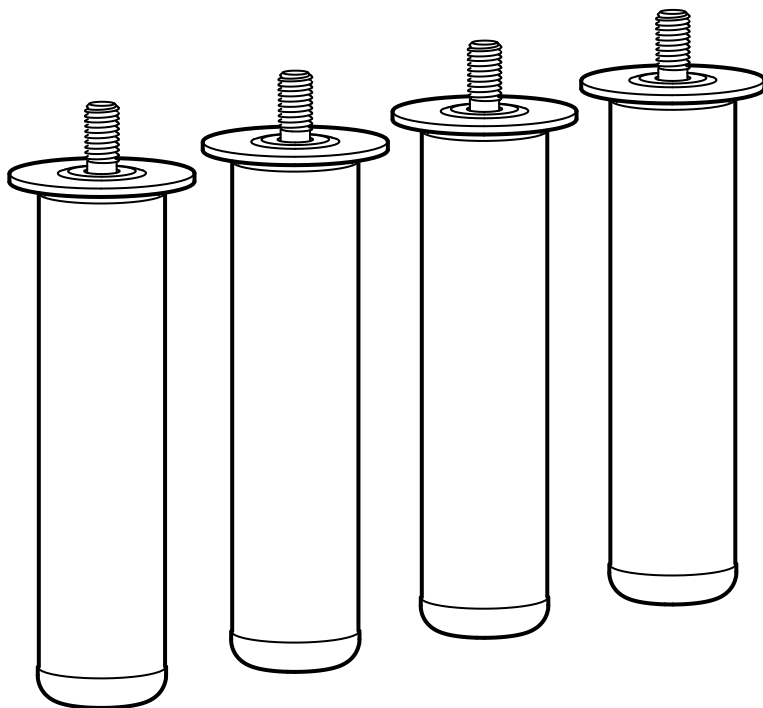
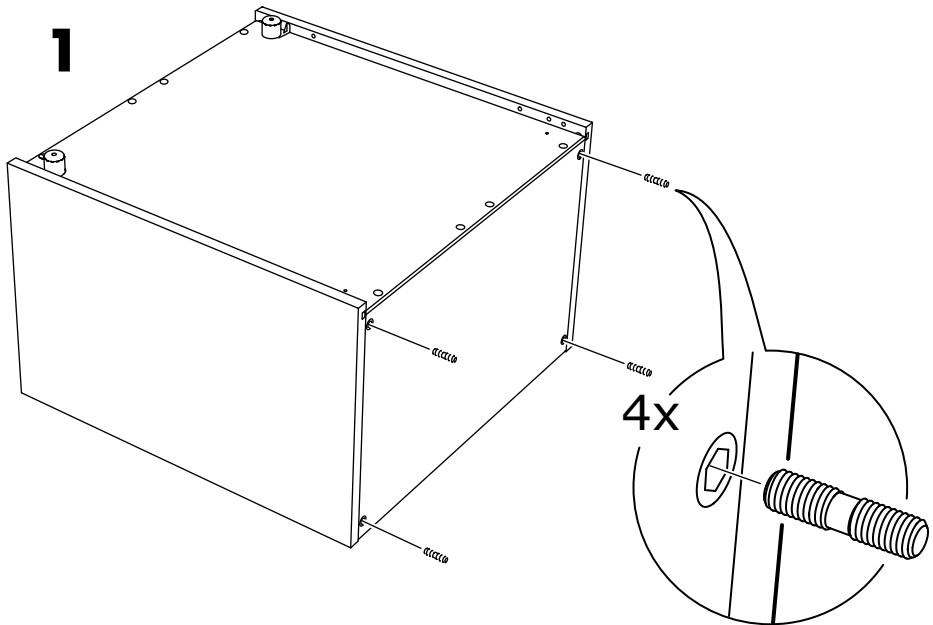
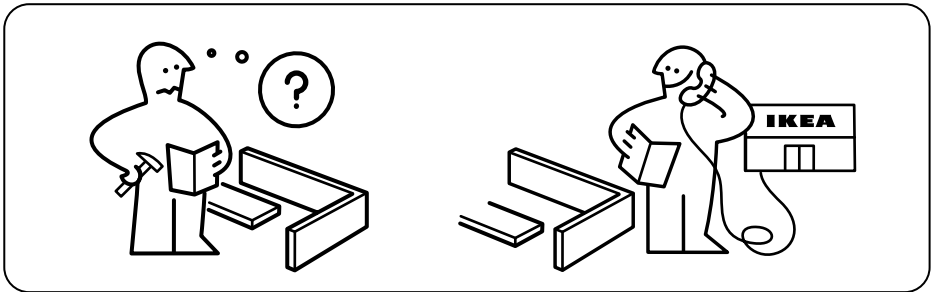
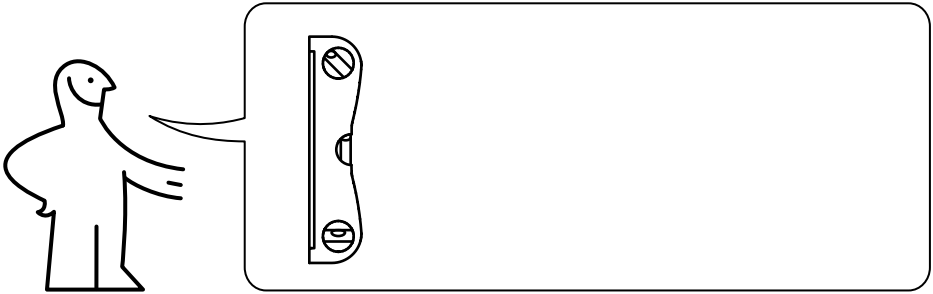


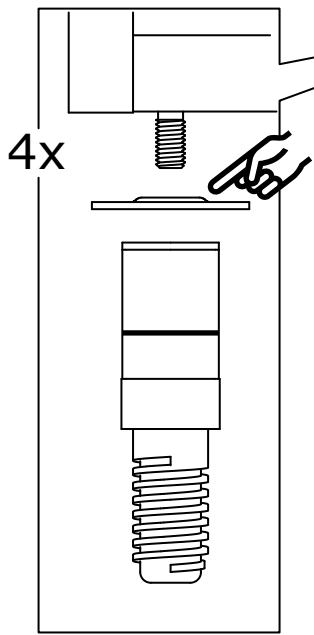
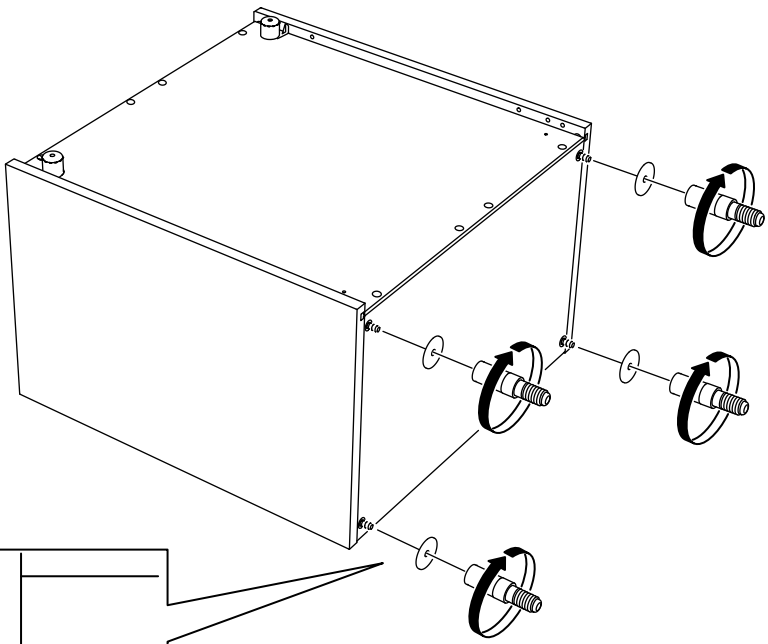
# LÄTTHET



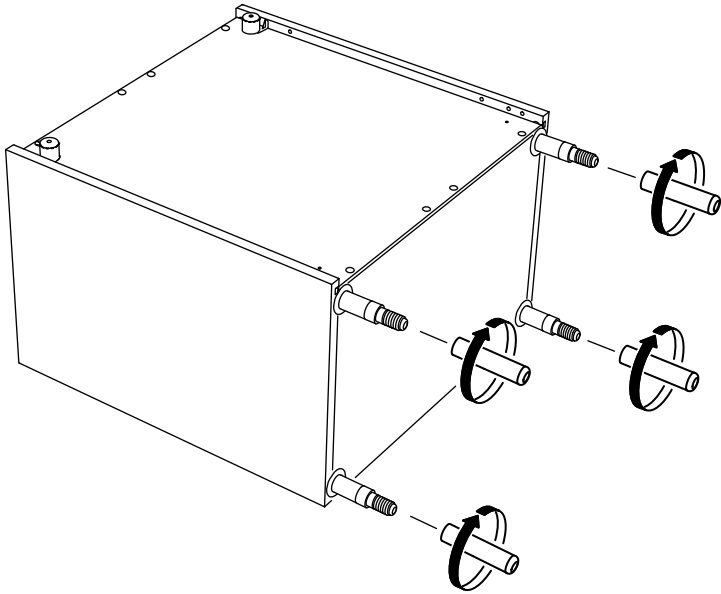
Design and Quality  
IKEA of Sweden



# 2



**3**



**4**

